



CAST NYLON 6 PLA natural / black
HEAT STABILISED NYLON
OIL FILLED NYLON

NYLATRON MC 901
NYLATRON GSM
NYLATRON NSM

tubes (*)

I.D. (mm)	Weights (1)(2) - (kg/piece)												
	O.D. (mm)												
	50	56	60	65	70	75	80	85	90	95	100	105	110
20	4.40	5.46	-	-	-	-	-	-	-	-	-	-	-
25	4.04	5.10	5.99	7.22	8.47	9.81	11.25	13.10	-	-	-	-	-
30	-	4.65	5.54	6.77	8.01	9.36	10.80	12.70	14.30	-	-	-	-
35	-	4.11	5.00	6.23	7.47	8.82	10.25	12.15	13.80	15.55	17.70	19.60	21.35
40	-	-	4.36	5.60	6.84	8.18	9.64	11.55	13.20	14.90	17.10	18.95	20.75
45	-	-	-	4.87	6.12	7.46	8.91	10.85	12.50	14.20	16.40	18.30	20.05
50	-	-	-	4.06	5.30	6.65	8.10	10.05	11.70	13.45	15.65	17.50	19.25
55	-	-	-	-	4.40	5.75	7.20	9.19	10.85	12.55	14.75	16.60	18.40
60	-	-	-	-	-	4.75	6.20	8.23	9.87	11.60	13.80	15.65	17.45
65	-	-	-	-	-	-	5.12	7.17	8.81	10.55	12.75	14.60	16.35
70	-	-	-	-	-	-	-	6.02	7.66	9.38	11.60	13.45	15.20
75	-	-	-	-	-	-	-	-	6.43	8.15	10.35	12.20	14.00
80	-	-	-	-	-	-	-	-	-	6.82	9.01	10.85	12.65
85	-	-	-	-	-	-	-	-	-	-	7.59	9.45	11.25
90	-	-	-	-	-	-	-	-	-	-	-	7.94	9.73
95	-	-	-	-	-	-	-	-	-	-	-	-	8.13

Standard length (mm) : 2000 (0 + 60) - (2)

I.D. (mm)	Weights (1)(2)(4) - (kg/piece)												
	O.D. (mm)												
	115	120	125	130	135	140	150	155 (5)	160 (5)	170 (5)	180 (5)	190 (5)	200 (5)
35	23.85	-	-	-	-	-	-	-	-	-	-	-	-
40	23.25	25.20	28.30	30.65	-	-	-	-	-	-	-	-	-
45	22.55	24.50	27.60	29.95	32.10	34.65	-	-	-	-	-	-	-
50	21.80	23.75	26.85	29.20	31.35	33.85	40.55	-	-	-	-	-	-
55	20.95	22.90	25.95	28.35	30.45	33.00	39.70	-	-	-	-	-	-
60	20.00	21.95	25.00	27.40	29.50	32.05	38.75	-	-	-	-	-	-
65	18.95	20.90	24.00	26.35	28.50	31.00	37.70	39.85	-	-	-	-	-
70	17.80	19.75	22.85	25.20	27.35	29.90	36.60	38.70	-	-	-	-	-
75	16.60	18.55	21.65	24.00	26.10	28.65	35.35	37.50	-	-	-	-	-
80	15.30	17.20	20.30	22.70	24.80	27.35	34.05	36.20	39.30	-	-	-	-
85	13.90	15.80	18.90	21.30	23.40	25.95	32.65	34.80	37.90	-	-	-	-
90	12.40	14.35	17.45	19.80	21.90	24.45	31.15	33.35	36.40	-	-	-	-
95	10.80	12.75	15.85	18.20	20.35	22.85	29.60	31.75	34.85	-	-	-	-
100	9.13	11.10	14.15	16.55	18.65	21.20	27.90	30.10	33.20	39.50	-	-	-
105	-	9.31	12.40	14.80	16.90	19.45	26.15	28.35	31.40	37.75	-	-	-
110	-	-	10.55	12.95	15.05	17.60	24.30	26.50	29.60	35.90	-	-	-
115	-	-	-	11.00	13.10	15.65	22.35	24.55	27.65	34.00	-	-	-
120	-	-	-	-	11.10	13.60	20.30	22.55	25.65	31.95	38.60	-	-
125	-	-	-	-	-	11.50	18.20	20.45	23.50	29.85	36.50	-	-
130	-	-	-	-	-	-	16.00	-	21.30	27.65	34.30	-	-
135	-	-	-	-	-	-	13.70	-	-	25.35	32.00	39.65	-
140	-	-	-	-	-	-	-	-	-	22.95	29.60	37.30	-
145	-	-	-	-	-	-	-	-	-	20.50	27.15	34.85	-
150	-	-	-	-	-	-	-	-	-	-	24.60	32.30	39.65
155	-	-	-	-	-	-	-	-	-	-	21.90	29.65	37.00
160	-	-	-	-	-	-	-	-	-	-	-	26.90	34.25
165	-	-	-	-	-	-	-	-	-	-	-	24.10	31.45
170	-	-	-	-	-	-	-	-	-	-	-	21.20	28.50
175	-	-	-	-	-	-	-	-	-	-	-	-	25.50
180	-	-	-	-	-	-	-	-	-	-	-	-	22.45

Standard length (mm) : 2000 (0 + 60) - (3)



(*) : for product codes and tolerances on the diameters: see page 27

(1) : the weights figuring in the tables are the average production weights of the ERTALON 6 PLA, ERTALON 6 XAU+ and NYLATRON MC 901 tubes. For ERTALON LFX, resp. NYLATRON GSM, resp. NYLATRON NSM tubes, these weights have to be multiplied with the factors 0.987, resp. 1.004, resp. 0.987.

(2) : the weight-figures in bold face type refer to the standard sizes of the ERTALON 6 PLA natural tubes (available from stock at the Quadrant EPP Logistic Center). The other sizes as well as all the ERTALON 6 PLA black, ERTALON 6 XAU+, ERTALON LFX and NYLATRON tubes are manufactured to order.

(3) : the standard length of the NYLATRON GSM tubes up to and including O.D. 70 mm as well as of all NYLATRON NSM tubes is 1000 mm.



CAST NYLON 6 PLA natural / black
HEAT STABILISED NYLON
OIL FILLED NYLON

NYLATRON MC 901
NYLATRON GSM
NYLATRON NSM

tubes (*)

I.D. (mm)	Weights (1)(2)(3) - (kg/piece)												
	O.D. (mm)												
	155	160	170	180	190	200	210	220	225	230	240	250	260
50	21.25	22.80	25.95	-	-	-	-	-	-	-	-	-	-
55	20.85	22.40	25.55	-	-	-	-	-	-	-	-	-	-
60	20.40	21.90	25.05	28.50	-	-	-	-	-	-	-	-	-
65	19.85	21.40	24.55	28.00	31.65	-	-	-	-	-	-	-	-
70	19.30	20.85	24.00	27.45	31.10	34.80	38.70	-	-	-	-	-	-
75	18.70	20.25	23.40	26.80	30.50	34.20	38.10	-	-	-	-	-	-
80	18.05	19.60	22.75	26.20	29.85	33.55	37.50	-	-	-	-	-	-
85	17.35	18.90	22.05	25.50	29.15	32.85	36.80	-	-	-	-	-	-
90	16.60	18.15	21.30	24.75	28.45	32.10	36.05	-	-	-	-	-	-
95	15.85	17.40	20.55	23.95	27.65	31.35	35.30	40.00	-	-	-	-	-
100	15.00	16.55	19.70	23.15	26.85	30.50	34.45	39.20	-	-	-	-	-
105	14.15	15.65	18.85	22.25	25.95	29.65	33.60	38.30	-	-	-	-	-
110	13.20	14.75	17.90	21.35	25.05	28.75	32.70	37.40	39.70	-	-	-	-
115	12.25	13.80	16.95	20.40	24.10	27.80	31.70	36.45	38.75	-	-	-	-
120	11.25	12.80	15.95	19.35	23.10	26.80	30.70	35.45	37.75	39.95	-	-	-
125	10.20	11.75	14.90	18.30	22.05	25.75	29.65	34.40	36.70	38.90	-	-	-
130	9.10	10.65	13.80	17.20	20.95	24.65	28.60	33.30	35.65	37.80	-	-	-
135	7.95	9.49	12.65	16.05	19.80	23.50	27.45	32.15	34.50	36.70	-	-	-
140	-	8.30	11.45	14.90	18.65	22.30	26.25	31.00	33.35	35.50	39.90	-	-
145	-	-	10.20	13.65	17.40	21.10	25.05	29.75	32.10	34.30	38.70	-	-
150	-	-	8.95	12.35	16.15	19.80	23.75	28.50	30.85	33.05	37.45	-	-
155	-	-	-	11.05	14.80	18.50	22.45	27.15	29.55	31.75	36.10	-	-
160	-	-	-	9.68	13.45	17.15	21.10	25.80	28.20	30.40	34.75	39.40	-
165	-	-	-	-	12.05	15.75	19.65	24.40	26.80	29.00	33.35	38.00	-
170	-	-	-	-	10.60	14.30	18.20	22.95	25.35	27.55	31.90	36.55	-
175	-	-	-	-	-	12.80	16.70	21.45	23.85	26.05	30.45	35.05	40.35
180	-	-	-	-	-	11.25	15.20	19.90	22.30	24.50	28.90	33.50	38.85
185	-	-	-	-	-	-	13.60	18.30	20.75	22.95	27.30	31.95	37.30
190	-	-	-	-	-	-	11.95	16.70	19.10	21.30	25.70	30.30	35.65
195	-	-	-	-	-	-	-	15.00	17.45	19.65	24.05	28.65	34.00
200	-	-	-	-	-	-	-	13.30	15.75	17.95	22.30	26.95	32.30
205	-	-	-	-	-	-	-	-	14.00	16.15	20.55	25.15	30.55
210	-	-	-	-	-	-	-	-	-	14.35	18.75	23.35	28.80
215	-	-	-	-	-	-	-	-	-	-	16.90	21.50	26.95
220	-	-	-	-	-	-	-	-	-	-	15.00	19.65	25.05
225	-	-	-	-	-	-	-	-	-	-	-	17.70	23.15
230	-	-	-	-	-	-	-	-	-	-	-	15.70	21.15
235	-	-	-	-	-	-	-	-	-	-	-	-	19.15

Standard length (mm) : 1000 (0 + 40) - (2)

(*) : for product codes and tolerances on the diameters: see page 27

- (1) : the weights figuring in the tables are the average production weights of the ERTALON 6 PLA, ERTALON 6 XAU+ and NYLATRON MC 901 tubes. For the ERTALON LFX, resp. NYLATRON GSM, resp. NYLATRON NSM tubes, these weights have to be multiplied with the factors 0.987, resp. 1.004, resp. 0.987.
- (2) : the weight-figures in bold face type refer to the standard sizes of the ERTALON 6 PLA natural tubes (available from stock at the Quadrant EPP Logistic Center). The other sizes as well as all the ERTALON 6 PLA black, ERTALON 6 XAU+, ERTALON LFX and NYLATRON tubes are manufactured to order.
- (3) : please note that all tubes figuring in this table, next to the standard length of 1000 mm, can also be manufactured to order on a length of 1200 (0 + 40 mm).



CAST NYLON 6 PLA natural / black
HEAT STABILISED NYLON
OIL FILLED NYLON

NYLATRON MC 901
NYLATRON GSM
NYLATRON NSM

tubes (*)

I.D. (mm)	Weights (1) - (kg/piece)												
	O.D. (mm)												
	220	225	230	240	250	260	270	275	280	290	300	325	350
70	26.45	27.80	29.10	31.80	34.60	37.70	40.65	42.55	43.95	47.05	-	-	-
75	26.05	27.40	28.75	31.40	34.25	37.35	40.30	42.20	43.60	46.70	-	-	-
80	25.65	27.05	28.35	31.05	33.85	36.95	39.90	41.85	43.20	46.35	49.75	58.85	-
85	25.25	26.60	27.95	30.60	33.45	36.55	39.50	41.45	42.80	45.95	49.35	58.45	-
90	24.80	26.20	27.50	30.20	33.00	36.10	39.05	41.00	42.40	45.50	48.95	58.05	67.75
95	-	25.70	27.05	29.70	32.50	35.65	38.60	40.55	41.90	45.05	48.45	57.55	67.30
100	-	25.20	26.55	29.20	32.05	35.15	38.10	40.05	41.45	44.55	48.00	57.10	66.80
105	-	24.70	26.05	28.70	31.50	34.65	37.60	39.55	40.90	44.05	47.45	56.60	66.30
110	-	-	25.50	28.15	30.95	34.10	37.05	39.00	40.40	43.50	46.90	56.05	65.75
115	-	-	24.90	27.55	30.40	33.50	36.50	38.40	39.80	42.95	46.35	55.50	65.20
120	-	-	-	26.95	29.75	32.95	35.90	37.85	39.20	42.35	45.75	54.90	64.60
125	-	-	-	26.35	29.15	32.30	35.25	37.20	38.60	41.70	45.15	54.30	64.00
130	-	-	-	25.70	28.50	31.65	34.60	36.55	37.95	41.05	44.50	53.65	63.35
135	-	-	-	25.00	27.80	31.00	33.95	35.85	37.25	40.40	43.80	52.95	62.65
140	-	-	-	-	27.10	30.30	33.20	35.15	36.55	39.65	43.10	52.25	61.95
145	-	-	-	-	26.35	29.55	32.50	34.45	35.80	38.95	42.35	51.55	61.25
150	-	-	-	-	25.55	28.80	31.75	33.65	35.05	38.15	41.60	50.80	60.50
155	-	-	-	-	24.80	28.00	30.95	32.90	34.25	37.40	40.80	50.00	59.70
160	-	-	-	-	-	27.20	30.10	32.05	33.45	36.55	40.00	49.20	58.90
165	-	-	-	-	-	26.35	29.30	31.20	32.60	35.75	39.15	48.35	58.05
170	-	-	-	-	-	25.45	28.40	30.35	31.75	34.85	38.25	47.50	57.20
175	-	-	-	-	-	-	27.50	29.45	30.85	33.95	37.40	46.60	56.30
180	-	-	-	-	-	-	26.60	28.50	29.90	33.05	36.45	45.70	55.40
185	-	-	-	-	-	-	25.65	27.55	28.95	32.10	35.50	44.75	54.45
190	-	-	-	-	-	-	24.65	26.60	27.95	31.10	34.50	43.75	53.45
195	-	-	-	-	-	-	23.65	25.60	26.95	30.10	33.50	42.75	52.45
200	-	-	-	-	-	-	22.60	24.55	25.95	29.05	32.45	41.75	51.45
205	-	-	-	-	-	-	21.55	23.50	24.85	28.00	31.40	40.65	50.40
210	-	-	-	-	-	-	20.45	22.40	23.80	26.90	30.30	39.60	49.30
215	-	-	-	-	-	-	19.35	21.30	22.65	25.80	29.20	38.50	48.20
220	-	-	-	-	-	-	18.20	20.15	21.50	24.65	28.05	37.35	47.05
225	-	-	-	-	-	-	17.00	18.95	20.35	23.45	26.90	36.20	45.90
230	-	-	-	-	-	-	15.80	17.75	19.15	22.25	25.70	35.00	44.70
235	-	-	-	-	-	-	14.60	16.55	17.90	21.05	24.45	33.75	43.45
240	-	-	-	-	-	-	13.35	15.30	16.65	19.80	23.20	32.50	42.20
245	-	-	-	-	-	-	12.05	14.00	15.40	18.50	21.90	31.25	40.95
250	-	-	-	-	-	-	-	12.70	14.05	17.20	20.60	29.95	39.65
255	-	-	-	-	-	-	-	-	12.75	15.85	19.30	28.30	38.30
260	-	-	-	-	-	-	-	-	-	14.50	17.90	27.25	36.95
265	-	-	-	-	-	-	-	-	-	13.10	16.50	25.85	35.55
270	-	-	-	-	-	-	-	-	-	-	15.10	24.45	34.15
275	-	-	-	-	-	-	-	-	-	-	13.65	23.00	32.70
280	-	-	-	-	-	-	-	-	-	-	-	21.55	31.25
285	-	-	-	-	-	-	-	-	-	-	-	20.05	29.75
290	-	-	-	-	-	-	-	-	-	-	-	18.55	28.25
295	-	-	-	-	-	-	-	-	-	-	-	17.00	26.70
300	-	-	-	-	-	-	-	-	-	-	-	15.40	25.10
305	-	-	-	-	-	-	-	-	-	-	-	-	23.50
310	-	-	-	-	-	-	-	-	-	-	-	-	21.90
315	-	-	-	-	-	-	-	-	-	-	-	-	20.20
320	-	-	-	-	-	-	-	-	-	-	-	-	18.55
325	-	-	-	-	-	-	-	-	-	-	-	-	16.85

Standard length (mm) : 600 (0 + 40)

(*) : for product codes and tolerances on the diameters: see page 27

(1) : the weights figuring in the tables are the average production weights of the ERTALON 6 PLA, ERTALON 6 XAU+ and NYLATRON MC 901 tubes. For the ERTALON LFX, resp. NYLATRON GSM, resp. NYLATRONNSM tubes, these weights have to be multiplied with the factors 0.987, resp. 1.004, resp. 0.987.



theplasticshop.co.uk

at gilbert curry industrial plastics

telephone 0800 321 3085

tubes (*)

I.D. (mm)	Weights (1) - (kg/piece)									
	O.D. (mm)									
	375	400	425	450	475	500	525	550	575	600
100	77.55	-	-	-	-	-	-	-	-	-
110	76.50	87.55	-	-	-	-	-	-	-	-
120	75.35	86.40	98.90	111.1	125.0	-	-	-	-	-
130	74.10	85.15	97.65	109.8	123.7	-	-	-	-	-
140	72.70	83.75	96.30	108.5	122.3	-	-	-	-	-
150	71.25	82.30	94.85	107.0	120.9	-	-	-	-	-
160	69.65	80.70	93.25	105.4	119.3	-	-	-	-	-
170	67.95	79.00	91.60	103.8	117.6	-	-	-	-	-
180	66.15	77.20	89.80	102.0	115.8	-	-	-	-	-
190	64.20	75.25	87.85	100.1	113.9	-	-	-	-	-
200	62.20	73.25	85.85	98.05	111.8	126.9	-	-	-	-
210	60.05	71.10	83.75	95.90	109.7	124.7	-	-	-	-
220	57.80	68.85	81.50	93.70	107.5	122.5	-	-	-	-
230	55.45	66.50	79.15	91.35	105.1	120.1	-	-	-	-
240	52.95	64.05	76.70	88.90	102.7	117.7	-	-	-	-
250	50.40	61.45	74.15	86.30	100.1	115.1	-	-	-	-
260	47.50	58.75	71.45	83.65	97.40	112.4	-	-	-	-
270	44.90	55.95	68.70	80.85	94.60	109.6	126.1	-	-	-
280	42.00	53.05	65.80	77.95	91.70	106.7	123.2	-	-	-
290	39.00	50.05	62.80	74.95	88.70	103.7	120.2	-	-	-
300	35.85	46.90	59.70	71.85	85.55	100.6	117.1	-	-	-
310	32.65	43.70	56.45	68.65	82.35	97.35	113.9	-	-	-
320	29.30	40.35	53.15	65.30	79.00	94.00	110.6	126.7	-	-
330	25.85	36.90	49.70	61.85	75.55	90.55	107.1	123.3	-	-
340	22.25	33.35	46.15	58.30	71.95	87.00	103.6	119.7	-	-
350	18.60	29.65	42.50	54.65	68.30	83.35	99.90	116.1	-	-
360	-	25.85	38.70	50.90	64.50	79.55	96.15	112.3	-	-
370	-	22.00	34.85	47.00	60.60	75.65	92.30	108.4	124.6	-
380	-	-	30.85	43.05	56.60	71.65	88.30	104.4	120.6	-
390	-	-	26.75	38.95	52.50	67.55	84.20	100.3	116.5	-
400	-	-	22.55	34.75	48.30	63.30	80.00	96.15	112.3	-
410	-	-	-	30.40	43.95	59.00	75.70	91.80	108.0	125.6
420	-	-	-	26.00	39.50	54.55	71.25	87.40	103.6	121.1
430	-	-	-	-	34.95	50.00	66.70	82.85	99.05	116.6
440	-	-	-	-	30.30	45.35	62.05	78.20	94.40	111.9
450	-	-	-	-	-	40.55	57.30	73.45	89.65	107.2
460	-	-	-	-	-	35.65	52.45	68.60	84.80	102.3
470	-	-	-	-	-	30.70	47.50	63.60	79.80	97.35
480	-	-	-	-	-	-	42.40	58.55	74.75	92.25
490	-	-	-	-	-	-	37.20	53.35	69.55	87.05
500	-	-	-	-	-	-	-	48.05	64.25	81.75
510	-	-	-	-	-	-	-	42.60	58.80	76.35
520	-	-	-	-	-	-	-	37.10	53.30	70.85
530	-	-	-	-	-	-	-	-	47.65	65.20
540	-	-	-	-	-	-	-	-	41.90	59.45
550	-	-	-	-	-	-	-	-	-	53.60
560	-	-	-	-	-	-	-	-	-	47.65
570	-	-	-	-	-	-	-	-	-	41.55

Standard length (mm) : 600 (0 + 40)

(*) : for product codes and tolerances on the diameters: see page 27

(1) : the weights figuring in the tables are the average production weights of the ERTALON 6 PLA, ERTALON 6 XAU+ and NYLATRON MC 901 tubes. For the ERTALON LFX, resp. NYLATRON GSM, resp. NYLATRON NSM tubes, these weights have to be multiplied with the factors 0.987, resp. 1.004, resp. 0.987.



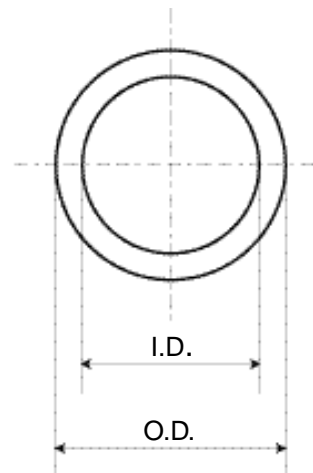


tubes

PRODUCT CODES : ERTALON 6 PLA natural	40042007
ERTALON 6 PLA black	40042107
ERTALON 6 XAU+	40050007
ERTALON LFX	40055007
NYLATRON MC 901	40042207
NYLATRON GSM	40042307
NYLATRONNSM	40043507

TOLERANCES :

O.D. (mm)	Tolerances on the diameters (mm)	
	O.D.	I.D.
O.D. ≤ 60	+ 3 + 0.8	- 0.8 - 4 (*)
60 < O.D. ≤ 80	+ 3.5 + 0.8	- 0.8 - 4 (*)
80 < O.D. ≤ 110	+ 4.5 + 1.2	- 1.6 - 6 (*)
110 < O.D. ≤ 150	+ 6 + 1.5	- 2 - 7.5 (*)
150 < O.D. ≤ 180	+ 7.5 + 1.8	- 2.2 - 8.5 (*)
180 < O.D. ≤ 220	+ 9 + 2	- 2.5 - 9.5 (*)
220 < O.D. ≤ 250	+ 10 + 3	- 3 - 11 (*)
250 < O.D. ≤ 300	+ 11 + 3	- 3.5 - 13 (*)
300 < O.D. ≤ 400	+ 13 + 3	- 3.5 - 15.5 (*)
400 < O.D. ≤ 500	+ 15 + 3	- 3.5 - 18 (*)
500 < O.D. ≤ 600	+ 20 + 5	- 4.5 - 20 (*)



(*) : due to the manufacturing process, the I.D. at the very ends of the tubes may be somewhat smaller (over a length of 2 - 10 mm, measured from the edge).

ERTALON® & NYLATRON®